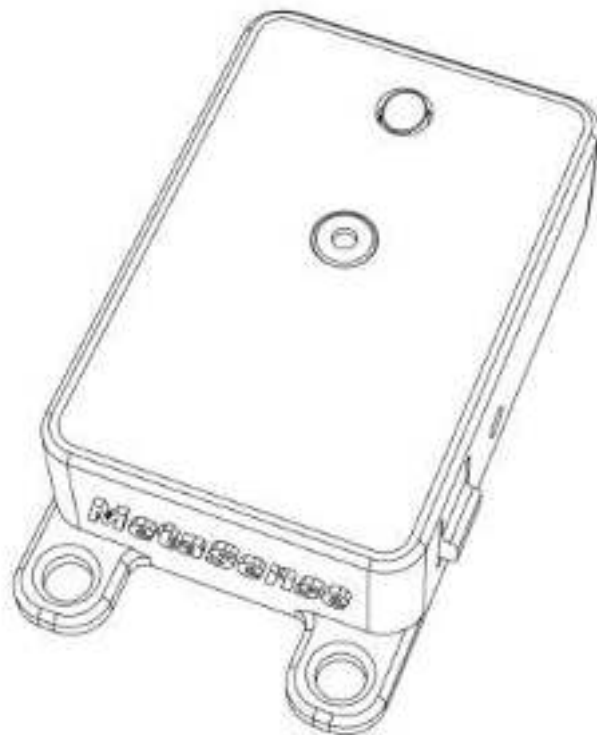


# **SIPEED**

# **MaixSense A010**

# **DataSheet**



# Revision History

<b><i>Date</i></b>	<b><i>Revision</i></b>	<b><i>Description</i></b>
2022-08-05	1.0	Initial Release

# Warranty Disclaimer

SIPEED Co., Ltd makes no warranty, representation or guarantee (expressed, implied, statutory, or otherwise) by or with respect to anything in this document, and shall not be liable for any implied warranties of non-infringement, merchantability or fitness for a particular purpose or for any indirect, special or consequential damages.

Information furnished is believed to be accurate and reliable. However, SIPEED Co., Ltd assumes no responsibility for the consequences of use of such information or for any infringement of patents or other rights of third parties that may result from its use.

SIPEED Co., Ltd' s products are not designed, intended, or authorized for using as components in systems intended for surgical implant into the body, or other applications intended to support or sustain life, or for any other application in which the failure of the SIPEED Co., Ltd' s product could create a situation where personal injury or death may occur, should buyer purchase or use SIPEED Co., Ltd' s products for any such unintended or unauthorized application, buyers shall indemnify and hold SIPEED Co., Ltd and its officers, employees, subsidiaries, affiliates, and distributors harmless against all claims, costs, damages, expenses, and reasonable attorney fees arising out of, either directly or indirectly, any claim of personal injury or death that may be associated with such unintended or unauthorized use, even if such claim alleges that SIPEED Co., Ltd was negligent regarding the design or manufacture of the part.

## Copyright and Patent Right

Information in this document is provided solely to enable system and software implementers to use SIPEED Co., Ltd' s products. There are no expressed or implied copyright licenses granted hereunder to design or fabricate any integrated circuits or integrated circuits based on the information in this document.

SIPEED Co., Ltd does not convey any license under its patent rights nor the rights of others. All copyright and patent rights referenced in this document belong to their respective owners and shall be subject to corresponding copyright and patent licensing requirements.

## Trademarks

SIPEED and SIPEED™ logo and the name of SIPEED Co., Ltd' s products are trademarks of SIPEED Co., Ltd. and are exclusively owned by SIPEED Co., Ltd. References to other companies and their products use trademarks owned by the respective companies and are for reference purpose only.

## Confidentiality

The information contained herein (including any attachments) is confidential. The recipient hereby acknowledges the confidentiality of this document, and except for the specific purpose, this document shall not be disclosed to any third party.

## Reverse engineering or disassembly is prohibited.

SIPEED CO.,LTD. RESERVES THE RIGHT TO MAKE CHANGES IN ITS PRODUCTS OR PRODUCT SPECIFICATIONS WITH THE INTENT TO IMPROVE FUNCTION OR DESIGN AT ANY TIME AND WITHOUT NOTICE AND IS NOT REQUIRED TO UNDATE THIS DOCUMENTATION TO REFLECT SUCH CHANGES.

## Copyright © 2022 SIPEED Co., Ltd.

All rights reserved. No part of this publication may be reproduced, stored in a retrieval system, or transmitted in any form or by any means, electric or mechanical, by photocopying, recording, or otherwise, without the prior written consent of SIPEED Co., Ltd.

# Contents

Revision History.....2

Warranty Disclaimer .....3

Contents .....4

Overview.....5

1 Key Specifications.....6

2 Technical Specifications .....7

3 Dimensions and interfaces .....8

    3.1 Camera size and structure .....8

    3.2 Physical picture of camera .....9

    3.3 Pin description.....10

4 Product related Executive Standards .....11

5 Operating precautions.....12

# Overview

MaixSense A010 is an all-in-one, low cost, flexible and easy to use 3D ToF(Time-of-Flight) solution for IoT applications. It consists of an on-board 100x100 array ToF sensor and ToF processor, which combines ToF sensing, ToF signal processing and application algorithm on a single board. It integrates the following algorithms: Specific applications, such as ranging, multi area human body positioning and sensing, posture monitoring, posture control, keystone correction, etc. These features are widely used in IoT applications like white goods, Laser TV, smart projector, smart illumination, smart parking, smart home facilities...

MaixSense A010 is power supplied via USB2.0, and it outputs ToF depth data at a speed of up to 20fps. With its sophisticated optic, electronic and high accuracy algorithms, MaixSense A010 is able to calculate depth data as accurate as in millimeter level.

## Features

- Combination of ToF and RGB sensors
- Depth range 0.15 – 1.5 meters
- Millimeter level accuracy
- Outdoor compatibility
- Power supply and data transfer via USB2.0
- Low and customizable power consumption

## Applications

- SLAM and robotic navigation
- Surveillance & security inspection
- People counting & tailgate detection
- VR/AR & gesture recognition
- Autopilot and AGV obstacle avoidance
- 3D modelling
- Dimensions measurement
- Liveness Detection & facial recognition

# 1 Key Specifications

Parameter	Description
CPU	32-bit RISC CPU with FPU, Up to 144MHz
Memory	132KB RAM & 192KB ROM
Camera Size	23.25*40.70*10.50 mm
Connector	USB Type-C, 1.25mm Connector
External interface	USB2.0, UART
TOF Camera Resolution	100*100 Max
TOF Camera Frame rate	Up to 20 FPS
TOF Camera FOV	70°(H) * 60°(V)
TOF Measurement range	0.2 – 2.5 m
TOF Distortion	< 2.5%
TOF Illumination	940nm, 3W
TOF Measurement Accuracy	<=1% / <=1cm

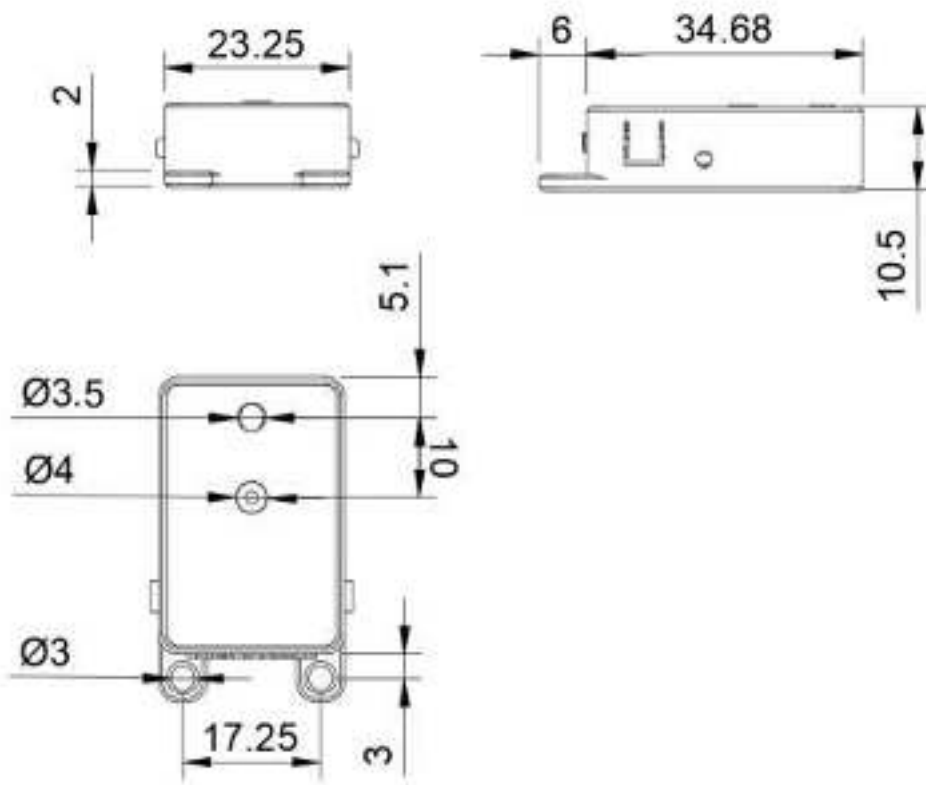
## 2 Technical Specifications

(Scenario: TA = 25°C, object reflectivity 90% if not otherwise specified)

Parameter	Description	Min	Typ	Max	Unit
Camera Supply Voltage		4.8	5	5.2	V
Supply Electric Current		0.5			A
Operating Electric Current				0.5	A
Wave Length			940		nm
Measurement Range		0.2		2.5	m
Operating Temperature		-20		50	°C

### 3 Dimensions and interfaces

#### 3.1 Camera size and structure

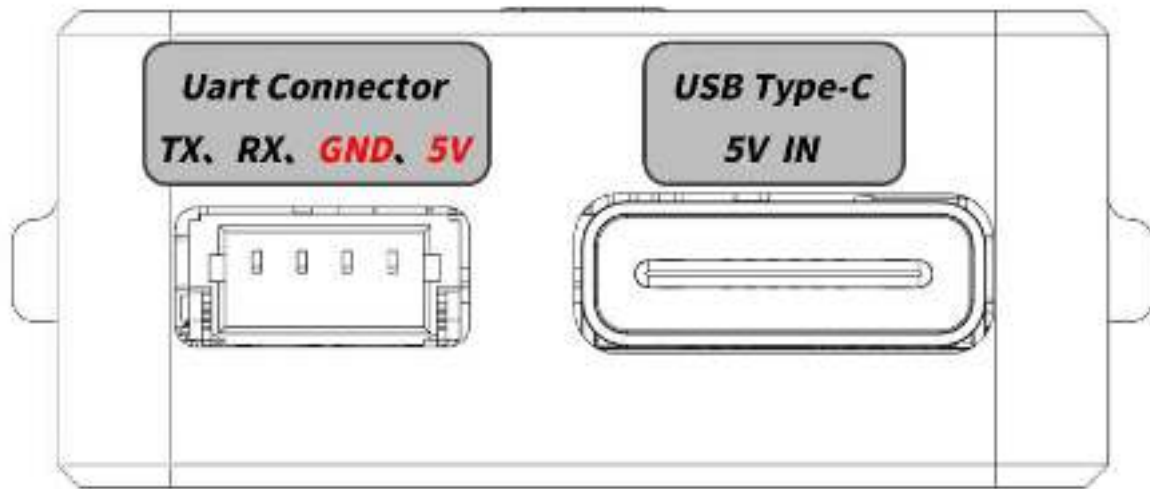




## 3.2 Physical picture of camera



### 3.3 Pin description



## 4 Product related Executive Standards

Meet human eye safety standards class1 (IEC 60825 1:2014- 3rd edition)。



## 5 Operating precautions

During the use of this product, attention must be paid to operation safety and maintenance, otherwise it may cause damage to the product, shorten its service life, and even endanger personal safety. For safe use and maintenance, attention should be paid to the following aspects:

- This product is a high-precision electronic product. Please do not collide or fall.
- Although the Class1 laser used in this product meets the safety standards for human eyes, it is not recommended to look directly at the laser for a long time to avoid discomfort.
- Do not place this product in a place with high temperature or direct sunlight.
- Do not disassemble or modify this product without permission to prevent damage to the components of the product.
- Do not touch the camera of this product to avoid leaving fingerprints and other pollutants affecting the image effect.
- Please keep this product out of the reach of children to prevent accidents.
- Please follow the manual for correct and safe operation.