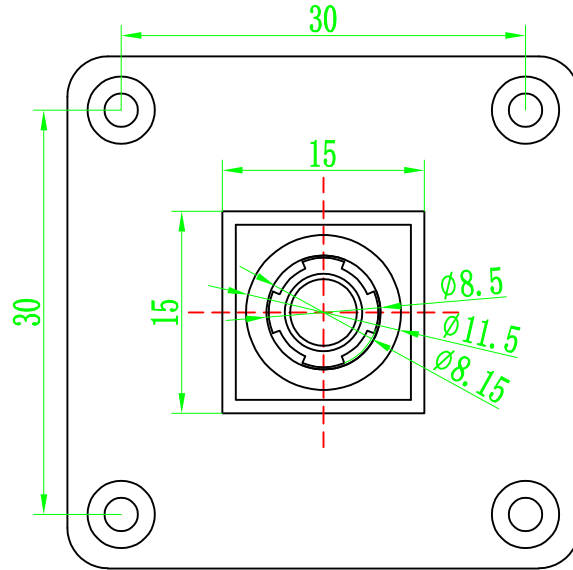
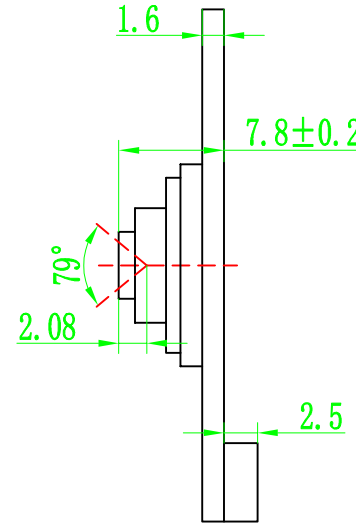


REV.	DATE	EC NO.		APP.BY

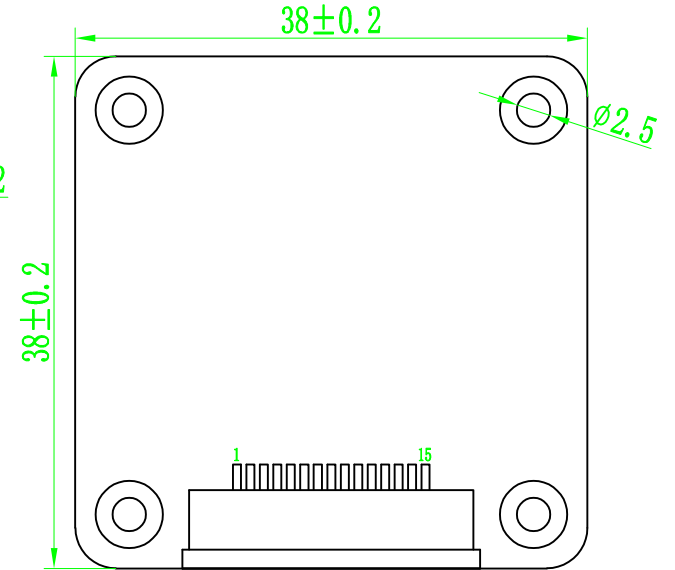
TOP VIEW



SIDE VIEW



BOTTOM VIEW



CONNECTOR  
15PIN DESCRIPTION

NO.	SYMBOL
1	GND
2	MDNO
3	MDPO
4	GND
5	MDN1
6	MDP1
7	GND
8	MCN
9	MCP
10	GND
11	PWDN
12	GPIO
13	SIO-C
14	SIO-D
15	3.3V

Lens parameter

焦距(EFL)	4.74mm	像素(Array Size)	4056X3040
光圈(F.NO)	1.79	镜头类型(Lens Size)	1/2.3inch
视场角(View Angle)	79°	数字电路电压(DVDD)	NC
畸变(Distortion)	< 1.5%	模拟电路电压(AVDD)	NC
景深(Focusing Range)	30cm - ∞	接口电路电压(DOVD)	NC
感光芯片(Chip Type)	IMX378 SENSOR	接口电路电压(AF-VDD)	NC

\* 未注公差为: ±0.1mm

ITEM	PART NAME	DWG NO.	QTY	MATERIAL REMARK
TITLE: SEN0632 IMX378-79				SCALE: 1:1
MATERIAL:			TREATMENT:	
UNSPECIFIED TOL:		DWN.BY: 23/01/13	PROJECT NO.:	
.XXX ± 0.005		CHK.BY: XING / /	DWG NO.:	
.XX ± 0.05			CAD NO.:	
X ± 0.1		APP.BY: / /		
L ± 0.5°				
ALL DIMENSION IN MM		REMOVE ALL BURRS BREAK SHARP EDGES	DO NOT SCALE	SHEET OF P1/1 A4