

REV.	DATE	EC NO.	APP. BY

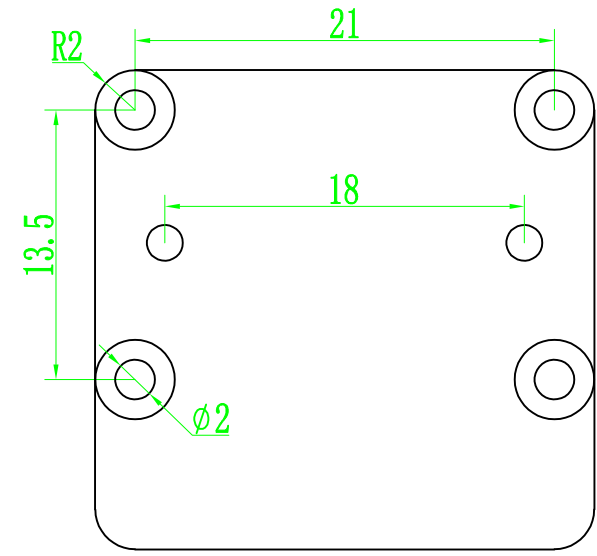
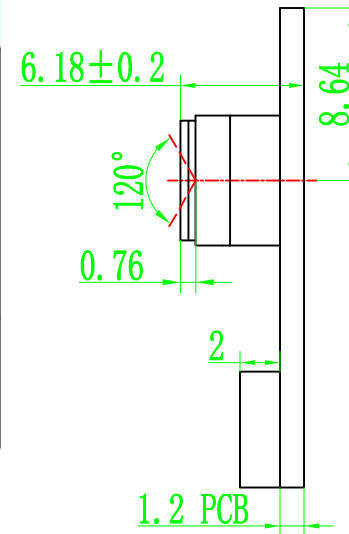
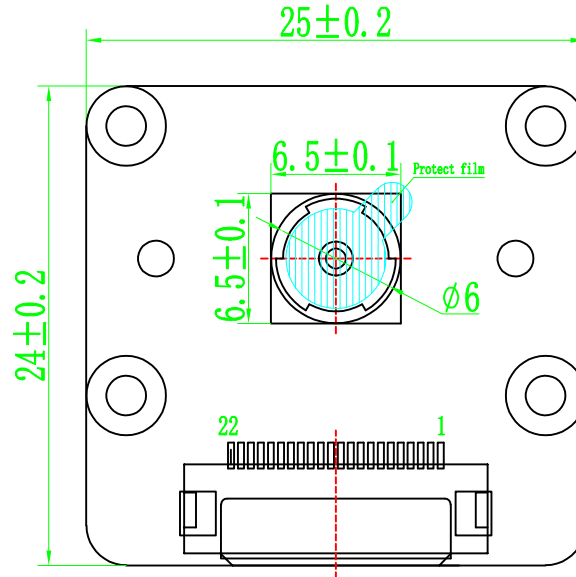
TOP VIEW

SIDE VIEW

BOTTOM VIEW

CONNECTOR 22PIN DESCRIPTION

NO.	SYMBOL
1	+3.3V
2	SDA
3	SCL
4	GND
5	NC
6	GPIO
7	GND
8	MDP3
9	MDN3
10	GND
11	MDP2
12	MDN2
13	GND
14	MCP
15	MCN
16	GND
17	MDP1
18	MDN1
19	GND
20	MDP0
21	MDN0
22	GND



* 未注公差为: ±0.1mm

Lens parameter

焦距(EFL)	2.85mm	像素(Array Size)	3296X2512
光圈(F.NO)	2.0	镜头类型(Lens Size)	1/4inch
视场角(View Angle)	120°	数字电路电压(DVDD)	NC
畸变(Distortion)	< 1%	模拟电路电压(AVDD)	NC
景深(Focusing Range)	20cm - ∞	接口电路电压(DOVDD)	NC
感光芯片(Chip Type)	IMX219 SENSOR	接口电路电压(AF-VDD)	NC

ITEM	PART NAME	DWG NO.	QTY	MATERIAL REMARK
TITLE :				SEN0631 IMX219-120
MATERIAL :				TREATMENT :
UNSPECIFIED TOL:		DWN. BY :	23 / 12 / 27	PROJECT NO. :
.xxx ± 0.005		CHK. BY :	XING / /	DWG NO. :
.xx ± 0.05		APP. BY :	/ /	CAD NO. :
.x ± 0.1		ALL DIMENSION IN MM		
< ± 0.5°		REMOVE ALL BURRS BREAK SHARP EDGES		DO NOT SCALE
				SHEET OF P1/1
				A4