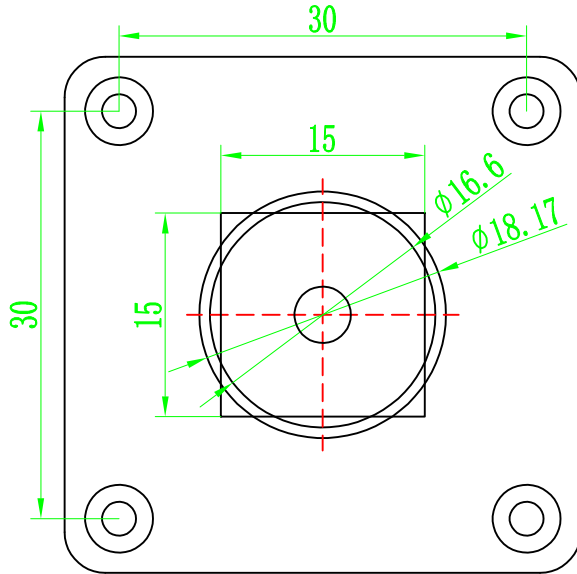
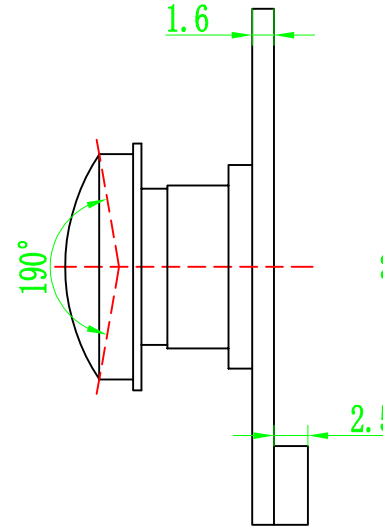


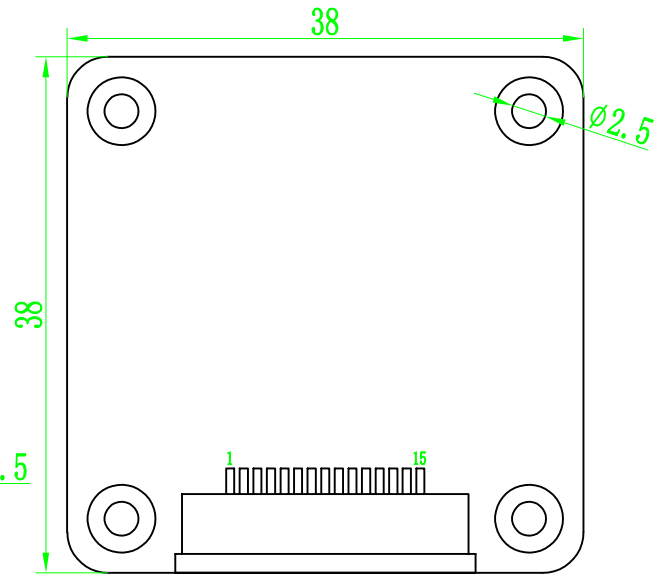
TOP VIEW



SIDE VIEW



BOTTOM VIEW



CONNECTOR
15PIN DESCRIPTION

NO.	SYMBOL
1	GND
2	MDN0
3	MDP0
4	GND
5	MDN1
6	MDP1
7	GND
8	MCN
9	MCP
10	GND
11	PWDN
12	GPIO
13	SIO-C
14	SIO-D
15	3.3V

Lens parameter

焦距(EFL)	6.5mm	像素(Array Size)	4056X3040
光圈(F.NO)	2.4	镜头类型(Lens Size)	1/2.3inch
视场角(View Angle)	190°	数字电路电压(DVDD)	NC
畸变(Distortion)	< 58%	模拟电路电压(AVDD)	NC
景深(Focusing Range)	30cm - ∞	接口电路电压(DOVD)	NC
感光芯片(Chip Type)	IMX378 SENSOR	接口电路电压(AF-VDD)	NC

* 未注公差为: ±0.1mm

ITEM	PART NAME	DWG NO.	QTY	MATERIAL REMARK
TITLE: SEN0633 IMX378-190				SCALE: 1:1
MATERIAL:			TREATMENT:	
UNSPECIFIED TOL:	DWN.BY: 22/01/13	PROJECT NO.:		
XXX ± 0.005	CHK.BY: XING	DWG NO.:		
XX ± 0.05	APP.BY: / /	CAD NO.:		
X ± 0.1				
∠ ± 0.5°				
ALL DIMENSION IN MM		REMOVE ALL BURRS	DO NOT SCALE	SHEET OF P1/1
		BREAK SHARP EDGES		A4